

GPS/DGPS COLOR PLOTTER+FISHFINDER

NAVIS 3000

- NAVIS Fishfinder is advanced one .
- The advanced technology on GPS Plotter Fishfinder achieves NAVIS 3000.
- NAVIS 3000 offers newly developed standard technology of GPS Plotter Fishfinder.

- Realization of wide visual angle and brightness of 350 candela.
- Enforcement in searching minute school of fish with single or dual frequency available.
- Smooth Course-up, Head-up, North-up and True-motion function per 0.1°.
- High performance transducer.



CCTV



under-water Camera



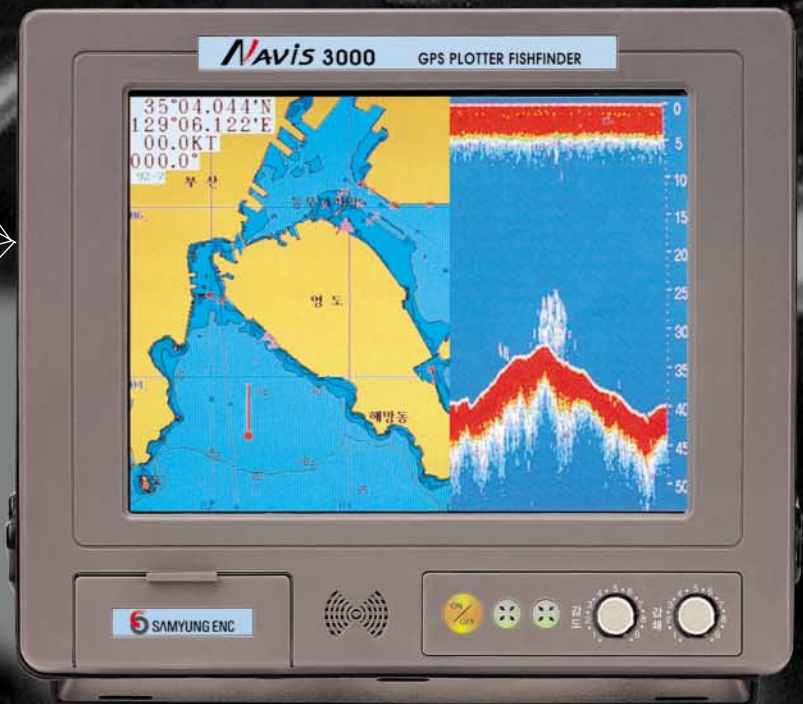
Weather Fax



TV/VTR

NAVIS 3000

10.4 Inch



 **SAMYUNG ENC Co.,Ltd.**

FEATURES

- Supreme brightness of 350 candela.
- Adoption of TFT LCD 10.4" color display giving clear pictures without reflection and wide view angle.
- Built in high speed CPU and revert display softly
- Smooth course-up, head-up, north-up, true-motion function per 0.1°
- Having 2 C-MAP NT cartridge slot which offer world map for ocean going fishing vessel.
- Pull-down mode in manual and automatic help menu available for instruction.
- Double key board which is made up of front keyboard and remote controller.
- Best safety from heat, seawater, shock
- Available for new fishery communication network.
- Worldwide precise electronic chart provides more exact reading and offers various information such as depth of water, lighthouse, mud, rocks, wrecks, EEZ, undersea cable
- Actual user can make & amend chart in Korean, English, numbers and signs directly.
- Can search minute shoals of fish strongly with dual frequency transducer
- High performance transducer
- Printing function for automatic switch of valve operation for disposal carrying ship.

SPECIFICATION

■ GPS RECEIVER

- Receiving frequency : L1 1575.42 MHz(C/A CODE)
- Receiving channel & tracking satellite : 12 channel & 12 satellite
- Receiving type : Digital 12channel multi tracking type
- Receiving sensitivity : -143dBm
- Accuracy : GPS(NAVIS 3000)
 - a) Position : 10M 2D RMS(HDOP<2)(SA OFF) DGPS(NAVIS 3000D)
 - a) Position : 3M 2D RMS(HDOP<2)(SA OFF)
 - b) Velocity : 0.1kt RMS(HSOP<2)(SA OFF)

■ DGPS BEACON RECEIVER

- Receiving frequency : 283.5~325.0KHz
- Modulation : MSK(minimum shift keying)
- Bitrate : 50,100,200bps

■ STANDARD (PLOTTER)

- Display : color VGA TFT LCD (10.4")
- Resolution : 640×480 pixels 256 color
- Projection : Mercator drawing
- Effective range : below 85° of latitude
- Scale 0.25 mile ~ 5,000 mile(1/2000~1/37,500,000)
- Tracking memory interval : 1sec~60minute(0.01~9,99NM) set-up
- Tracking capacity : 20,000 points , work log book (99 pages)
- Event mark : 21 kinds
 - Mark capacity : 10,000 points
 - capacity for user's drawing of shoreline : 8,000points 16 land coloring
 - capacity for user's marking of shoreline : 1,000points
 - capacity for user's character of shoreline : 1,000points
 - capacity for tracking marking : 1,000points
 - capacity for memory of destination : 1,000points
 - capacity for memory of route : 20 routes (20 points/1 route)
- Display mode : normal, true-motion, course-up, north-up, head-up function
- Alarm : 1)arriving alarm 2)off-course alarm 3)anchor alarm 4)boundary alarm
- Interface : SAMYUNG, NMEA0183, FURUNO(CIF), JRC
- Power supply : DC 10V~40V, Power Consumption : 40W

■ STANDARD (FISHFINDER)

- Operating frequency : 50/200KHz dual or 50KHz, 200KHz one frequency
- Output : 600KW(dual), 1.5KW(one frequency)
- Display color : 16colors
- Range of depth : 5~1,500M(depth of water,automatic output power control)
- Range of bottom(enlargement of tracing) : 10, 20, 40, 80M
(enlargement of flattened bottom) : 2.5, 5, 10, 20, 40, 80M
(partial enlargement) : 5, 10, 20, 40, 80M
- Shift speed : OFF, 1, 2, 3, 4, 5, 6, 7
- Information : depth ,schools of fish, water temperature
- Display of function : Sensitivity, attenuation, transmitting output, time marking, depth, variable scales, color patterns

■ GENERAL

- Interface : SAMYUNG, NMEA0183, FURUNO(CIF), JRC
- Power supply : DC 10V~40V, Power Consumption : 40W

COMPONENT

■ STANDARD

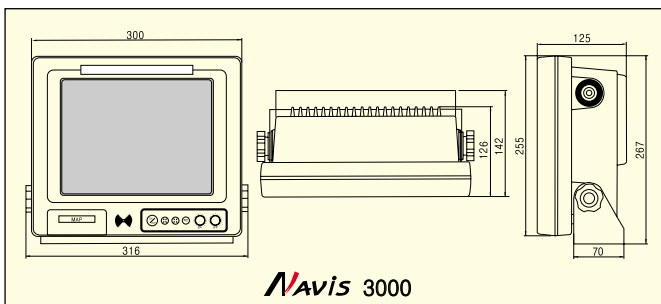
- (D)GPS LCD plotter 1SET
- (D)GPS antenna 1SET
- Remote controller 1SET
- Transducer 1SET
- Installation materials, spare parts, manual 1LOT

■ OPTION

- CCTV/under water camera
- TV/FM video receiver
- C-MAP NT map
- Weather fax receiver
- Exclusive receiver for weather fax
- Printer



CONFIGURATION



DIMENSIONS

